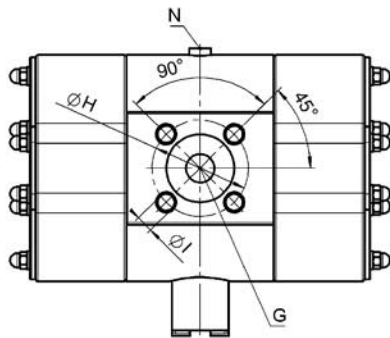
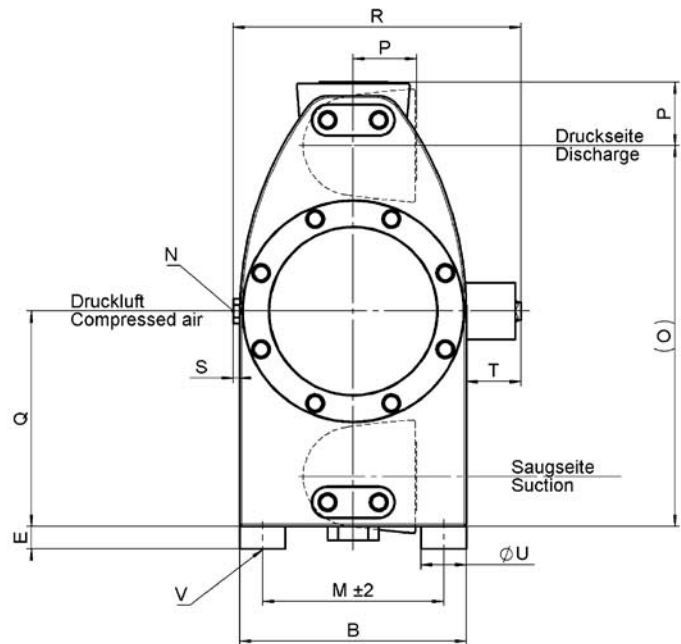
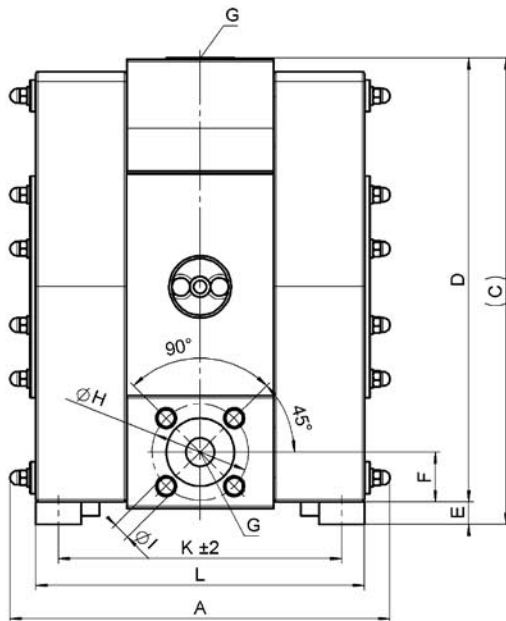


MASSBLATT / DIMENSIONS

Baureihe AHS / AHS Series



mm*	A	B	C	D	E	F	G	H	I	K	L	M	N	O	P	Q	R	S	T	U	V
AHS 15	266	152	336	316	20	37	DN15/PN16	65	M12	190	230	112	R 1/4"	263	53	150	177	5	20	40	M8
AHS 25	335	200	412	392	20	44	DN25/PN16	85	M12	250	290	160	R 1/4"	336	56	190	255	7	48	40	M8
inch**	A	B	C	D	E	F	G	H	I	K	L	M	N	O	P	Q	R	S	T	U	V
AHS 15	10.5	6.0	13.2	12.4	0.8	1.5	ANSI 1/2" - 300lbs	2.6	1/2" UNC	7.5	9.1	4.4	BSP 1/4"	10.4	2.1	5.9	7.0	0.2	0.8	1.6	M8
AHS 25	13.2	7.9	16.2	15.4	0.8	1.7	ANSI 1" - 300lbs	3.5	5/8" UNC	9.8	11.4	6.3	BSP 1/4"	13.2	2.2	7.5	10.0	0.3	1.9	1.6	M8

* mit DIN-Flanschen / with DIN flanges

** mit ANSI-Flanschen / with ANSI flanges