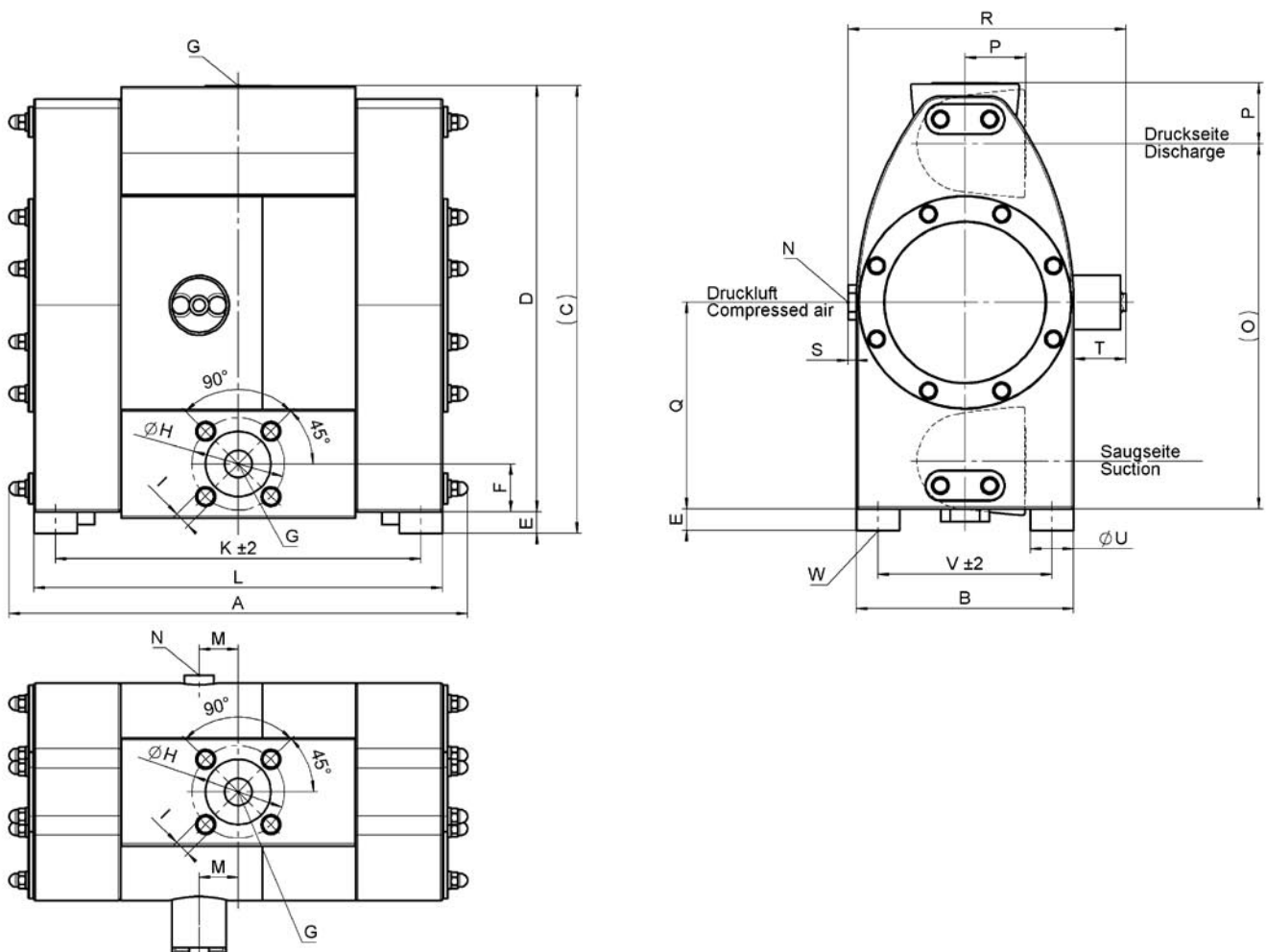


## MASSBLATT / DIMENSIONS

## Baureihe AHD / AHD Series



mm*	A	B	C	D	E	F	G	H	I	K	L	M	N	O	P	Q	R	S	T	U	V	W
<b>AHD 15</b>	312	152	336	316	20	37	DN15/PN16	65	M12	236	276	24	R 1/4"	263	53	150	177	5	20	40	112	M8
<b>AHD 25</b>	421	200	412	392	20	44	DN25/PN16	85	M12	336	376	36	R 1/2"	336	56	190	255	7	48	40	160	M8
<b>AHD 40</b>	539	270	544	524	20	60	DN40/PN16	110	M16	434	484	47	R 1/2"	454	70	257	291	7	14	50	220	M10
inch**	A	B	C	D	E	F	G	H	I	K	L	M	N	O	P	Q	R	S	T	U	V	W
<b>AHD 15</b>	12.3	6.0	13.2	12.4	0.8	1.5	ANSI 1/2" - 300lbs	2.6	1/2" UNC	9.3	10.9	0.9	BSP 1/4"	10.4	2.1	5.9	7.0	0.2	0.8	1.6	4.4	M8
<b>AHD 25</b>	16.6	7.9	16.2	15.4	0.8	1.7	ANSI 1" - 300lbs	3.5	5/8" UNC	13.2	14.8	1.4	BSP 1/2"	13.2	2.2	7.5	10.0	0.3	1.9	1.6	6.3	M8
<b>AHD 40</b>	21.2	10.6	21.4	20.6	0.8	2.4	ANSI 1-1/2" - 300lbs	4.5	3/4" UNC	17.1	19.1	1.9	BSP 1/2"	17.9	2.8	10.1	11.5	0.3	0.6	2.0	8.7	M10

\* mit DIN-Flanschen / with DIN flanges

\*\* mit ANSI-Flanschen / with ANSI flanges